

Motion detector - Professional Line

IS 3180

COM1 - concealed, sq.
EAN 4007841 055721
Article number 055721



infrared sensor
180°



max. 20 m

2000 W

2000 W max.
(LED-ready)



IP20



2 - 1000 lux



5 sec - 15 min



manual override
4h



Ideal 2 m

Teach

Teach mode



energy saving

Function description

For large areas. Infrared motion detector IS 3180 for indoors and out, ideal for watching over large areas, ideal installation height 2 m, 180° angle of coverage, reach 20 m max. or 8 m max. (tangential).

IS 3180

COM1 - concealed, sq.
 EAN 4007841 055721
 Article number 055721



Technical specifications

Type	Motion detectors
Dimensions (L x W x H)	78 x 94 x 94 mm
Mains power supply	220 – 240 V / 50 – 60 Hz
Sensor Technology	passive infrared
Application, place	Outdoors, Indoors
Installation site	wall, corner
Installation	Concealed wiring
Mounting height	1,80 – 2,50 m
Reach, radial	r = 4 m (25 m ²)
Reach, tangential	r = 20 m (628 m ²)
Detection angle	180 °
Angle of aperture	90 °
Switching zones	448 switching zones
Optimum mounting height	2 m
Mechanical scalability	No
Sneak-by guard	Yes
Capability of masking out individual segments	Yes
Electronic scalability	No
Twilight setting TEACH	Yes
Twilight setting	2 – 1000 lx
Time setting	5 s – 15 Min.
Output	2000 W
Switching output 1, resistive	2000 W
Switching output 1, number of LEDs / fluorescent lamps	8 pcs.
Fluorescent lamps, electronic ballast	1500 W

Fluorescent lamps, uncorrected	1000 VA
Fluorescent lamps, series-corrected	400 VA
Fluorescent lamps, parallel-corrected	400 VA
Switching output 1, low-voltage halogen lamps	2000 VA
LED lamps	100 W
LED lamps > 2 W	300 W
LED lamps > 8 W	600 W
Capacitive load in µF	176 µF
Constant-lighting control	No
Basic light level function	No
Functions	Normal / test mode, Manual ON / ON-OFF
Settings via	Remote control, Potentiometers, Smart Remote
With remote control	No
Interconnection	Yes
Type of interconnection	Master/master
IP-rating	IP20
Material	Plastic
Ambient temperature	-20 – 50 °C
Application, room	corridor / aisle, function room / ancillary room, stairwell, multi-storey / underground car park, outdoors, all round the building, courtyard & driveway, Indoors
Colour	white
Colour, RAL	9003
Manufacturer's Warranty	5 years
Version	COM1 - concealed, sq.
PU1, EAN	4007841055721

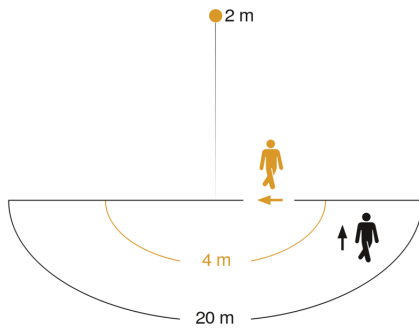
Accessories

EAN 4007841 056728 Black cover for IR-sensors

IS 3180

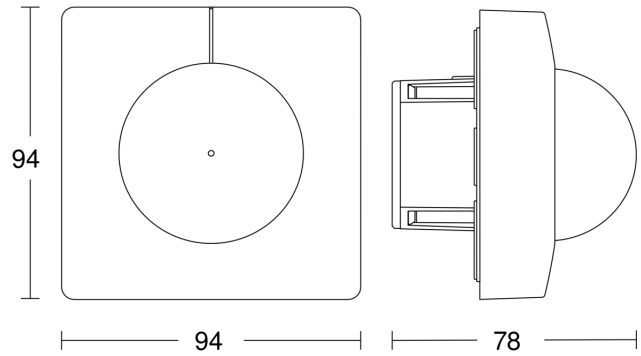
COM1 - concealed, sq.
EAN 4007841 055721
Article number 055721

Detection Zone

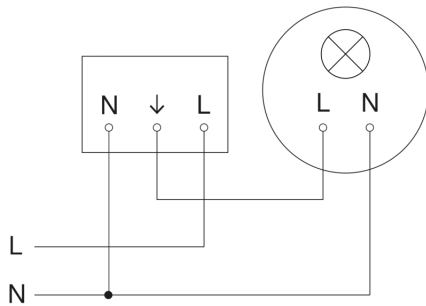


Mögliche Montagehöhe: 1,80 m – 2,50 m
Orange: radial
Schwarz: tangential

Dimension Drawing



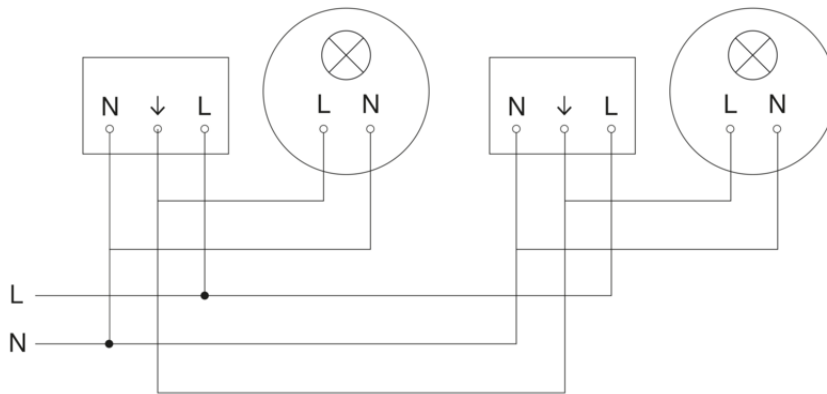
Master circuit diagram



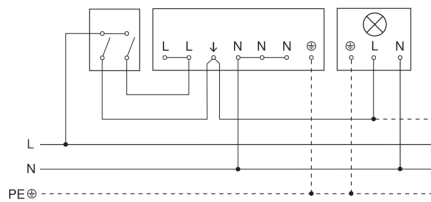
IS 3180

COM1 - concealed, sq.
EAN 4007841 055721
Article number 055721

Master/slave interconnection circuit diagram



Connection using two-circuit switch for manual and automatic operation



Connection via a two-way switch for manual override and automatic operation

