

Presence detector - Professional Line

# HF 360-2

DALI-2 Input Device - concealed  
EAN 4007841 064280  
Article number 064280



high frequency  
sensor 360°



max. Ø 12 m



IP20



ideal 2.5 - 3.5 m



2 - 2000 lux



temperature



air humidity



energy saving



plastic free  
packaging



Input Device

## Function description

Smart surveillance professional. The HF 360-2 from the new Control PRO 2 range. Modern look and intelligent 360° HF sensor technology – ideal for stairwells and toilet facilities with cubicles. Conveniently adjusted and interconnected via Bluetooth. Interfaces: COM1, COM2, DALI-2 APC, DALI-2 IPD, KNX, IP and BT IPD (Slave). Mounting height up to 3.5 m. Reach: 12 m.

# HF 360-2

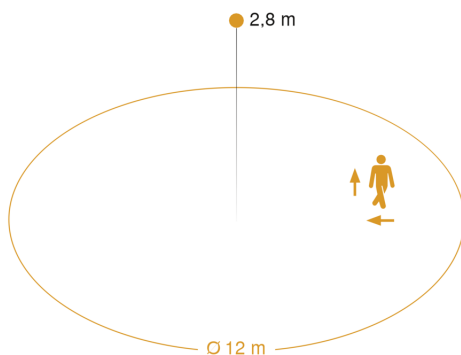
DALI-2 Input Device - concealed  
 EAN 4007841 064280  
 Article number 064280

## Technical specifications

Type	Presence detector
Dimensions (L x W x H)	61 x 103 x 103 mm
Mains power supply	12.5 – 22 V
Power supply, detail	DALI bus
Number of Dali users	11
Sensor Technology	High frequency
Application, place	Indoors
Installation site	ceiling
Installation	Concealed wiring
Mounting height	2,50 – 4,00 m
Reach, radial	Ø 12 m (113 m <sup>2</sup> )
Reach, tangential	Ø 12 m (113 m <sup>2</sup> )
Reach, detail	1 or 2 detection directions can be masked out by stickers for adjustment to the room situation.
HF-system	5,8 GHz
Detection angle	360 °
Angle of aperture	140 °
Optimum mounting height	2,8 m
Mechanical scalability	No
Sneak-by guard	Yes
Capability of masking out individual segments	No

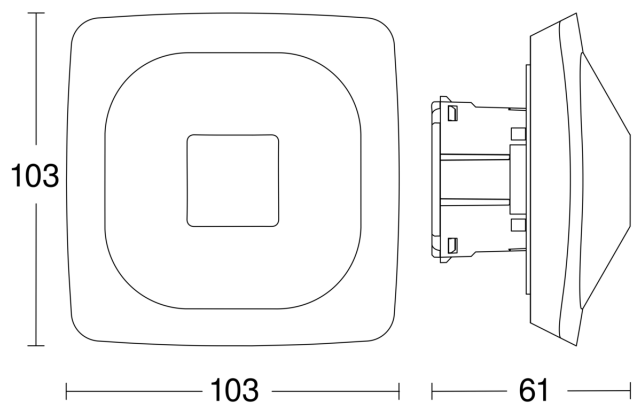
Electronic scalability	Yes
Detection	also through glass, wood and stud walls
Twilight setting TEACH	No
Twilight setting	2 – 2000 lx
Constant-lighting control	No
Basic light level function	No
Einstellungen via: Connect Bluetooth Mesh	Bluetooth
With remote control	No
Interconnection	Yes
Type of interconnection	Master/slave
IP-rating	IP20
Material	Plastic
Ambient temperature	-25 – 50 °C
Application, room	function room / ancillary room, kitchenette, stairwell, WC / washroom, Indoors
Colour	white
Colour, RAL	9003
IDs, certificates	DALI-2
Manufacturer's Warranty	5 years
Version	DALI-2 Input Device - concealed
PU1, EAN	4007841064280

## Detection Zone



Mögliche Montagehöhe: 2,50 m – 4,00 m  
 Orange: radial und tangential

## Dimension Drawing



Presence detector - Professional Line

# HF 360-2

DALI-2 Input Device - concealed  
EAN 4007841 064280  
Article number 064280



## Circuit diagram

