

Presence detector - Professional Line

# DualTech

COM2 - Concealed wiring  
EAN 4007841 008000  
Article number 008000



ultrasonic sensor  
360°



infrared sensor  
360°



max. Ø 6 m  
presence

2000 W

2000 W max.  
(LED-ready)



IP20



ideal 2,5 - 3,5 m



indoor sensor

iQ

iQ-mode

Teach

Teach mode



energy saving

## Function description

The best of both worlds. Combined in one detector. Ultrasonic presence detector DualTech, ideal for offices, conference rooms and class rooms. 36 sq.m. presence zone, ultrasonic technology provides reliable detection behind objects regardless of temperature, additional detection capability with PIR technology, electronic adjustment for ultrasonic reach, COM2 for switching light ON and OFF and also operating HVAC.

# DualTech

COM2 - Concealed wiring

EAN 4007841 008000

Article number 008000



## Technical specifications

Type	Presence detector
Dimensions (L x W x H)	66 x 120 x 120 mm
Mains power supply	220 – 240 V / 50 – 60 Hz
Sensor Technology	Ultrasonic
Application, place	Indoors
Installation site	ceiling
Installation	Concealed wiring
Mounting height	2,50 – 3,50 m
Reach, radial	Ultrasonic: Ultraschall: Ø 10 m (Ultraschall: 79 m <sup>2</sup> )
Reach, tangential	Ultrasonic: Ultraschall: Ø 10 m (Ultraschall: 79 m <sup>2</sup> )
Reach, presence	Ultrasonic: Ultraschall: Ø 6 m (Ultraschall: 28 m <sup>2</sup> )
Sensor Technology 2	passive infrared
Reach, radial 2	passive infrared: Passiv Infrarot: Ø 4 m (Passiv Infrarot: 13 m <sup>2</sup> )
Reach, tangential 2	passive infrared: Passiv Infrarot: Ø 8 m (Passiv Infrarot: 50 m <sup>2</sup> )
Reach, presence 2	passive infrared: Passiv Infrarot: Ø 4 m (Passiv Infrarot: 13 m <sup>2</sup> )
Ultrasonic technology	40 kHz
Detection angle	360 °
Angle of aperture	180 °
Optimum mounting height	2,8 m
Mechanical scalability	No
Sneak-by guard	Yes
Capability of masking out individual segments	No
Electronic scalability	Yes
Twilight setting TEACH	Yes
Twilight setting	10 – 1000 lx
Time setting	30 s – 30 Min.

Output	2000 W
Fluorescent lamps, electronic ballast	1500 W
Fluorescent lamps, uncorrected	1000 VA
Fluorescent lamps, series-corrected	1000 VA
Fluorescent lamps, parallel-corrected	1000 VA
Switching output 1, low-voltage halogen lamps	2000 VA
LED lamps	100 W
LED lamps > 2 W	300 W
LED lamps > 8 W	600 W
Capacitive load in µF	176 µF
Constant-lighting control	No
Basic light level function	No
Functions	Normal / test mode, Semi-/fully automatic, Pushbutton / switch mode, Manual ON / ON-OFF
Einstellungen via: Connect Bluetooth Mesh	Remote control, DIP switches, Potentiometers, Smart Remote
With remote control	No
Interconnection	Yes
Type of interconnection	Master/master, Master/slave
IP-rating	IP20
Material	Plastic
Ambient temperature	-25 – 55 °C
Application, room	classroom, one-person office, open-plan office, conference room / meeting room, duty room, recreation room, Indoors
Colour	white
Colour, RAL	9010
Manufacturer's Warranty	5 years
Version	COM2 - Concealed wiring
PU1, EAN	4007841008000

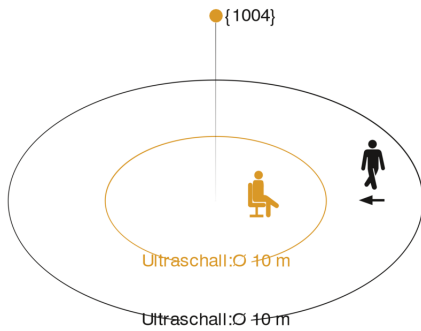
## Accessories

EAN 4007841 009151	Remote control Smart Remote
EAN 4007841 559410	Service remote control RC8

# DualTech

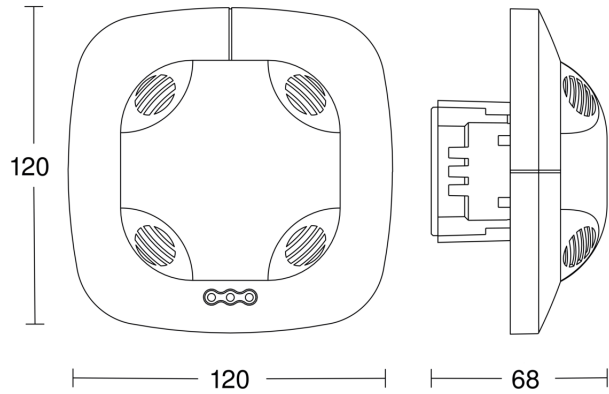
COM2 - Concealed wiring  
 EAN 4007841 008000  
 Article number 008000

## Detection Zone

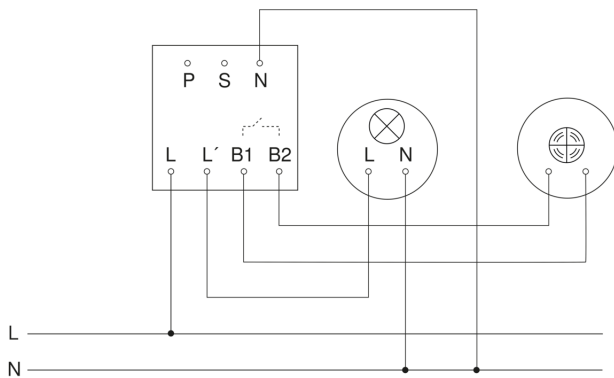


Mögliche Montagehöhe: 2,50 m – 3,50 m  
 Orange: Präsenz und tangential  
 Schwarz: radial

## Dimension Drawing



## Master circuit diagram



## Master/slave interconnection circuit diagram

