

Presence detector - Professional Line

US 360

COM1 - Concealed wiring
EAN 4007841 007935
Article number 007935



ultrasonic sensor
360°



max. Ø 6 m
presence

2000 W

2000 W max.
(LED-ready)



IP20



ideal 2,5 - 3,5 m



indoor sensor

iQ

iQ-mode

Teach

Teach mode



energy saving

5 years

manufacturer's
warranty
[steinell-professional.de/garantie](https://www.steinell.de/garantie)

Function description

Detects without obstructions. 360° ultrasonic presence detector US 360, ideal for offices, conference rooms, store rooms and class rooms. 36 sq.m. presence detection zone, immune to obstacles, envelops objects as opposed to penetrating them, detection regardless of temperature, electronically adjustable reach, COM1 for switching light ON and OFF.

US 360

COM1 - Concealed wiring

EAN 4007841 007935

Article number 007935



Technical specifications

Type	Presence detector
Dimensions (L x W x H)	67 x 120 x 120 mm
Mains power supply	230 V / 50 – 60 Hz
Sensor Technology	Ultrasonic
Application, place	Indoors
Installation site	ceiling
Installation	Concealed wiring
Mounting height	2,50 – 3,50 m
Reach, radial	Ø 10 m (79 m ²)
Reach, tangential	Ø 10 m (79 m ²)
Reach, presence	Ø 6 m (28 m ²)
Ultrasonic technology	40 kHz
Detection angle	360 °
Angle of aperture	180 °
Optimum mounting height	2,8 m
Mechanical scalability	No
Sneak-by guard	Yes
Capability of masking out individual segments	No
Electronic scalability	Yes
Twilight setting TEACH	Yes
Twilight setting	10 – 1000 lx
Time setting	30 s – 30 Min.
Output	2000 W
Fluorescent lamps, electronic ballast	1500 W

Fluorescent lamps, uncorrected	1000 VA
Fluorescent lamps, series-corrected	1000 VA
Fluorescent lamps, parallel-corrected	1000 VA
Switching output 1, low-voltage halogen lamps	2000 VA
LED lamps	100 W
LED lamps > 2 W	300 W
LED lamps > 8 W	600 W
Capacitive load in µF	176 µF
Constant-lighting control	No
Basic light level function	No
Functions	Normal / test mode, Semi-/fully automatic, Pushbutton / switch mode, Manual ON / ON-OFF
Einstellungen via: Connect Bluetooth Mesh	Remote control, DIP switches, Potentiometers, Smart Remote
With remote control	No
Interconnection	Yes
Type of interconnection	Master/master, Master/slave
IP-rating	IP20
Material	Plastic
Ambient temperature	-25 – 55 °C
Application, room	classroom, one-person office, open-plan office, conference room / meeting room, duty room, recreation room, function room / ancillary room, stairwell, WC / washroom, Indoors
Colour	white
Colour, RAL	9010
Manufacturer's Warranty	5 years
Version	COM1 - Concealed wiring
PU1, EAN	4007841007935

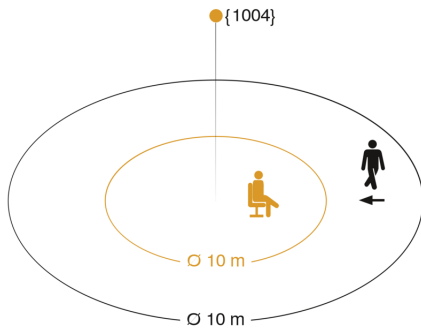
Accessories

EAN 4007841 009151	Remote control Smart Remote
EAN 4007841 559410	Service remote control RC8

US 360

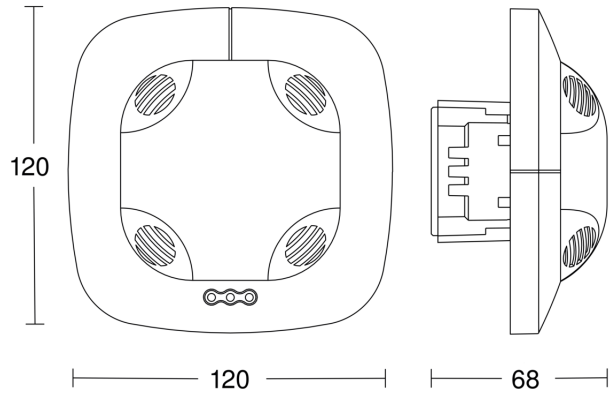
COM1 - Concealed wiring
EAN 4007841 007935
Article number 007935

Detection Zone

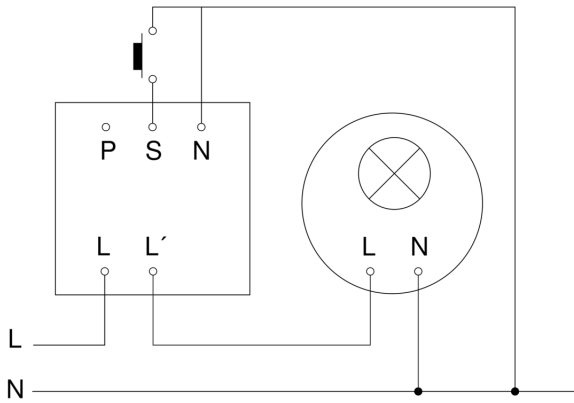


Mögliche Montagehöhe: 2,50 m – 3,50 m
Orange: Präsenz und tangential
Schwarz: radial

Dimension Drawing



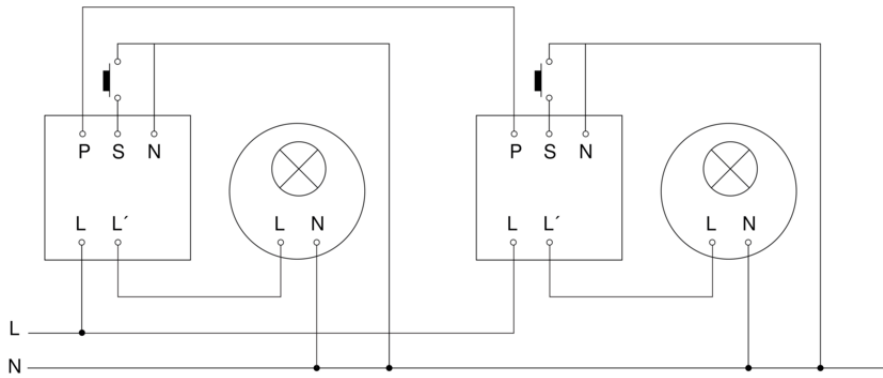
Master circuit diagram



US 360

COM1 - Concealed wiring
EAN 4007841 007935
Article number 007935

Master/master interconnection circuit diagram



Master/slave interconnection circuit diagram

