

Motion detector - Professional Line

IS 3180

DALI-2 APC - concealed, sq.

EAN 4007841 055738

Article number 055738



infrared sensor
180°



max. 20 m



IP20



2 - 1000 lux



5 sec - 15 min



manual override
4h



Ideal 2 m

Teach

Teach mode



energy saving

5 years

manufacturer's
warranty
[steinel-professional.de/garantie](https://www.steinel.de/garantie)

Function description

For large areas. Infrared motion detector IS 3180 for indoors and out, ideal for watching over large areas, ideal installation height 2 m, 180° angle of coverage, reach 20 m max. or 8 m max. (tangential).

IS 3180

DALI-2 APC - concealed, sq.

EAN 4007841 055738

Article number 055738



Technical specifications

Type	Motion detectors
Dimensions (L x W x H)	78 x 94 x 94 mm
Mains power supply	220 – 240 V / 50 – 60 Hz
Sensor Technology	passive infrared
Application, place	Outdoors, Indoors
Installation site	wall, corner
Installation	Concealed wiring
Mounting height	1,80 – 2,50 m
Reach, radial	r = 3 m (14 m ²) / r = 4 m (25 m ²)
Reach, tangential	r = 6 m (57 m ²) / r = 20 m (628 m ²)
Detection angle	180 °
Angle of aperture	90 °
Switching zones	448 switching zones
Optimum mounting height	2 m
Mechanical scalability	No
Sneak-by guard	Yes
Capability of masking out individual segments	Yes
Electronic scalability	No
Twilight setting TEACH	Yes
Twilight setting	2 – 1000 lx
Time setting	5 s – 15 Min.
Control output, Dali	Broadcast 1x30 electronic ballasts

Constant-lighting control	Yes
Basic light level function	Yes
Basic light level function in per cent	10 – 50 %
Basic light level function time	1-30 min, all night
Basic light level function percentage, from	10 %
Basic light level function percentage, up to	50 %
Functions	Normal / test mode, Manual ON / ON-OFF, Constant-lighting control ON-OFF
Settings via	Remote control, Potentiometers, Smart Remote
With remote control	No
Interconnection	Yes
Type of interconnection	Master/slave
IP-rating	IP20
Material	Plastic
Ambient temperature	-20 – 50 °C
Application, room	corridor / aisle, function room / ancillary room, stairwell, multi-storey / underground car park, outdoors, all round the building, courtyard & driveway, Indoors
Colour	white
Colour, RAL	9003
IDs, certificates	DALI-2
Manufacturer's Warranty	5 years
Version	DALI-2 APC - concealed, sq.
PU1, EAN	4007841055738

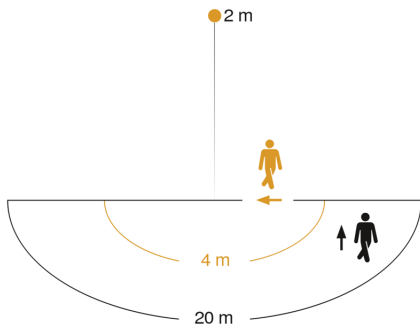
Accessories

EAN 4007841 056728 Black cover for IR-sensors

IS 3180

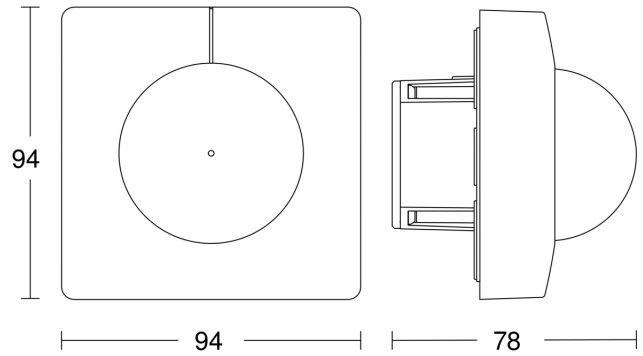
DALI-2 APC - concealed, sq.
 EAN 4007841 055738
 Article number 055738

Detection Zone

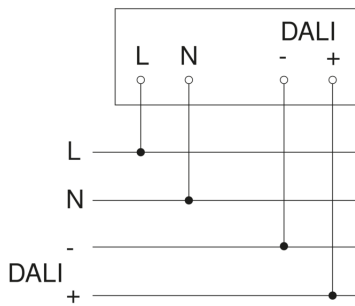


Mögliche Montagehöhe: 1,80 m – 2,50 m
 Orange: radial
 Schwarz: tangential

Dimension Drawing



Master circuit diagram



Circuit diagram for interconnecting DALI-2 APC with DALI-2 IPD

