

Motion detector - Professional Line

IS 3360 MX Highbay

DALI-2 APC - surface, sq.
EAN 4007841 010577
Article number 010577



infrared sensor
360°



18 m



IP54



2 - 1000 lux



5 sec - 15 min



manual override
4h



ideal 4 - 14 m

Teach

Teach mode



energy saving

5 years

manufacturer's
warranty
[steinel-professional.de/garantie](https://www.steinel-professional.de/garantie)

Function description

A head for heights. Powerful reach. Reliable. IS 3360 MX Highbay motion detector – ideal for high ceilings in industrial buildings or commercial properties. For mounting heights of up to 14 m. High-precision 360° infrared sensor. Maximum reach: 18 m. For watching over up to 1000 sq.m. Available as square surface-mounted and concealed version.

IS 3360 MX Highbay

DALI-2 APC - surface, sq.
 EAN 4007841 010577
 Article number 010577



Technical specifications

| | |
|---|------------------------------------|
| Type | Motion detectors |
| Dimensions (L x W x H) | 65 x 95 x 95 mm |
| Mains power supply | 220 – 240 V / 50 – 60 Hz |
| Sensor Technology | passive infrared |
| Application, place | Indoors |
| Installation site | ceiling |
| Installation | Surface wiring |
| Mounting height | 4,00 – 14,00 m |
| Reach, radial | Ø 14 m (154 m ²) |
| Reach, tangential | Ø 36 m (1018 m ²) |
| Detection angle | 360 ° |
| Angle of aperture | 180 ° |
| Switching zones | 1416 switching zones |
| Optimum mounting height | 12 m |
| Mechanical scalability | No |
| Sneak-by guard | Yes |
| Capability of masking out individual segments | Yes |
| Electronic scalability | No |
| Twilight setting TEACH | Yes |
| Twilight setting | 2 – 1000 lx |
| Time setting | 5 s – 15 Min. |
| Control output, Dali | Broadcast 1x30 electronic ballasts |

| | |
|--|--|
| Constant-lighting control | Yes |
| Basic light level function | Yes |
| Basic light level function in per cent | 10 – 50 % |
| Basic light level function time | 1-30 min, all night |
| Basic light level function percentage, from | 10 % |
| Basic light level function percentage, up to | 50 % |
| Functions | Normal / test mode, Manual ON / ON-OFF, Constant-lighting control ON-OFF |
| Settings via | Remote control, Potentiometers, Smart Remote |
| With remote control | No |
| Interconnection | Yes |
| Type of interconnection | Master/slave |
| IP-rating | IP54 |
| Material | Plastic |
| Ambient temperature | -20 – 50 °C |
| Application, room | high-bay warehouse, sports hall, Indoors |
| Colour | white |
| Colour, RAL | 9003 |
| IDs, certificates | DALI-2 |
| Manufacturer's Warranty | 5 years |
| Version | DALI-2 APC - surface, sq. |
| PU1, EAN | 4007841010577 |

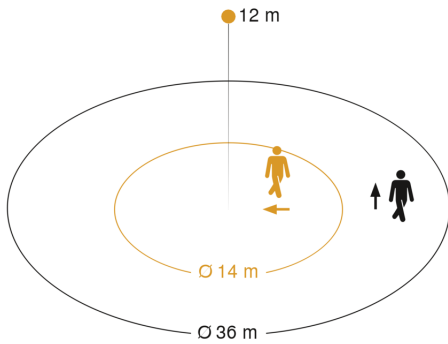
Accessories

| | |
|--------------------|-----------------------------|
| EAN 4007841 009151 | Remote control Smart Remote |
| EAN 4007841 559410 | Service remote control RC8 |
| EAN 4007841 592806 | User remote control RC5 |
| EAN 4007841 056711 | Black cover for IR-sensors |

IS 3360 MX Highbay

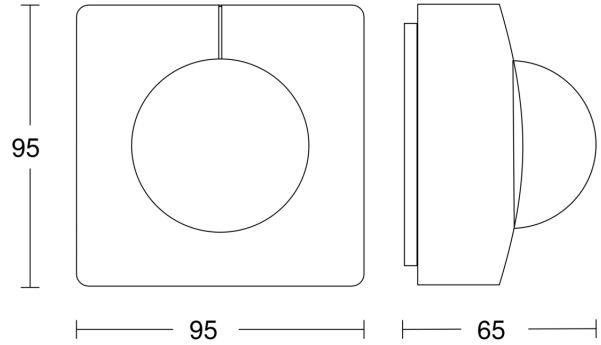
DALI-2 APC - surface, sq.
 EAN 4007841 010577
 Article number 010577

Detection Zone

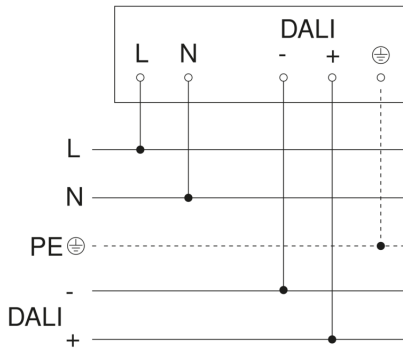


Mögliche Montagehöhe: 4,00 m – 14,00 m
 Orange: radial
 Schwarz: tangential

Dimension Drawing



Master circuit diagram



Circuit diagram for interconnecting DALI-2 APC with DALI-2 IPD

