

Motion detector - Professional Line

# IS 345

DALI-2 APC - surface, sq.  
EAN 4007841 010584  
Article number 010584



infrared sensor  
360°



max. 20 x 4 m



IP54



2 - 1000 lux



5 sec - 15 min



manual override  
4h



ideal 2,5 - 5 m

Teach

Teach mode



energy saving

5 years

manufacturer's  
warranty  
[steinel-professional.de/garantie](https://www.steinel.de/garantie)

## Function description

Huge reach. Infrared motion detector IS 345 for indoors and out, ideal for passageways, corridors and commonly used spaces, installation height 5 m, detection zone 12 x 6 m (radial) and 23 x 6 m (tangential), large terminal compartment for easy installation. Available either in round or square surface-mounted and concealed version.

# IS 345

DALI-2 APC - surface, sq.  
EAN 4007841 010584  
Article number 010584



## Technical specifications

|   |                                    |
|---|------------------------------------|
| Type  | Motion detectors                   |
| Dimensions (L x W x H)                        | 65 x 95 x 95 mm                    |
| Mains power supply                            | 220 – 240 V / 50 – 60 Hz           |
| Sensor Technology                             | passive infrared                   |
| Application, place                            | Outdoors, Indoors                  |
| Installation site                             | ceiling                            |
| Installation                                  | Surface wiring                     |
| Mounting height                               | 2,50 – 5,00 m                      |
| Reach, radial                                 | 12 x 6 m (72 m <sup>2</sup> )      |
| Reach, tangential                             | 23 x 6 m (138 m <sup>2</sup> )     |
| Detection angle                               | 360 °                              |
| Angle of aperture                             | 45 °                               |
| Switching zones                               | 280 switching zones                |
| Optimum mounting height                       | 2,8 m                              |
| Mechanical scalability                        | No                                 |
| Sneak-by guard                                | Yes                                |
| Capability of masking out individual segments | Yes                                |
| Electronic scalability                        | No                                 |
| Twilight setting TEACH                        | Yes                                |
| Twilight setting                              | 2 – 1000 lx                        |
| Time setting                                  | 5 s – 15 Min.                      |
| Control output, Dali                          | Broadcast 1x30 electronic ballasts |

|  |  |
|--|--|
| Constant-lighting control                    | Yes  |
| Basic light level function                   | Yes  |
| Basic light level function in per cent       | 10 – 50 %  |
| Basic light level function time              | 1-30 min, all night  |
| Basic light level function percentage, from  | 10 %   |
| Basic light level function percentage, up to | 50 %   |
| Functions                                    | Normal / test mode, Manual ON / ON-OFF, Constant-lighting control ON-OFF |
| Settings via                                 | Remote control, Potentiometers, Smart Remote                             |
| With remote control                          | No   |
| Interconnection                              | Yes  |
| Type of interconnection                      | Master/slave   |
| IP-rating                                    | IP54   |
| Material                                     | Plastic  |
| Ambient temperature                          | -20 – 50 °C  |
| Application, room                            | corridor / aisle, multi-storey / underground car park, outdoors, Indoors |
| Colour                                       | white  |
| Colour, RAL                                  | 9003   |
| IDs, certificates                            | DALI-2   |
| Manufacturer's Warranty                      | 5 years  |
| Version                                      | DALI-2 APC - surface, sq.  |
| PU1, EAN                                     | 4007841010584  |

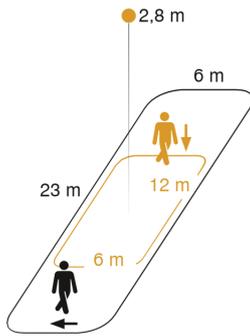
## Accessories

|                    |                             |
|--------------------|-----------------------------|
| EAN 4007841 009151 | Remote control Smart Remote |
| EAN 4007841 559410 | Service remote control RC8  |
| EAN 4007841 592806 | User remote control RC5     |
| EAN 4007841 056711 | Black cover for IR-sensors  |

# IS 345

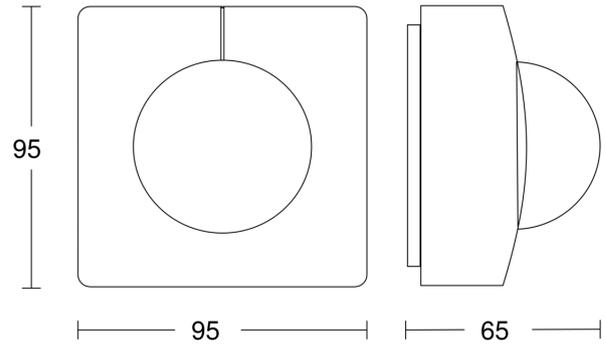
DALI-2 APC - surface, sq.  
 EAN 4007841 010584  
 Article number 010584

## Detection Zone

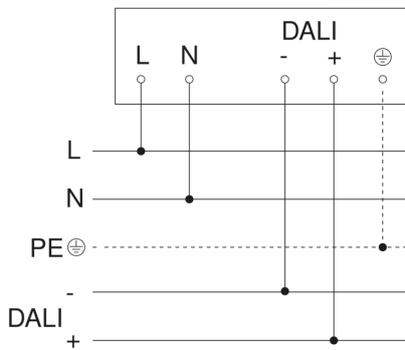


Mögliche Montagehöhe: 2,50 m – 5,00 m  
 Orange: radial  
 Schwarz: tangential

## Dimension Drawing



## Master circuit diagram



## Circuit diagram for interconnecting DALI-2 APC with DALI-2 IPD

