

Presence Switch - Professional Line

IR 180 UNIVERSAL

white

EAN 4007841 033149

Article number 033149



infrared sensor
180°



max. 20 m



2- or 3-wire

200 W

200 W max.
(LED-ready)



IP20



2 - 1000 lux



30 sec - 15 min



indoor sensor



energy saving

5 years

manufacturer's
warranty
[steinel-professional.de/garantie](https://www.steinel.de/garantie)

Function description

World first for modernisation and refurbishment. 180° infrared presence switch in patented 2-wire design – perfect for LED lamps. Integrated SuperCap energy storage system for flawless functionality even in the event of a power cut. Zero-watt stand-by output. Absolutely flicker-free light from any lamp. Integrated switch for manual override. 20 m reach.

IR 180 UNIVERSAL

white

EAN 4007841 033149

Article number 033149



Technical specifications

Type	Presence detector
Dimensions (L x W x H)	30 x 80 x 80 mm
Mains power supply	220 – 240 V / 50 – 60 Hz
Sensor Technology	passive infrared
Application, place	Indoors
Installation site	wall
Installation	Concealed wiring
Mounting height	1,10 – 1,20 m
Reach, radial	r = 4 m (25 m ²)
Reach, tangential	r = 20 m (628 m ²)
Reach, presence	r = 4 m (25 m ²)
Detection angle	180 °
Angle of aperture	90 °
Switching zones	96 switching zones
Optimum mounting height	1,2 m
Mechanical scalability	No
Sneak-by guard	Yes
Capability of masking out individual segments	No
Electronic scalability	Yes
Twilight setting TEACH	Yes
Twilight setting	2 – 1000 lx

Time setting	30 s – 15 Min.
Switching output 1, resistive	200 W
Switching output 1, number of LEDs / fluorescent lamps	6 pcs.
Capacitive load in µF	132 µF
Constant-lighting control	No
Basic light level function	No
Functions	Switch active / switch inactive, Normal / test mode, Manual ON / ON-OFF
Settings via	Remote control, Potentiometers, Smart Remote
With remote control	No
Interconnection	No
IP-rating	IP20
Material	Plastic
Ambient temperature	0 – 40 °C
Application, room	one-person office, corridor / aisle, function room / ancillary room, kitchenette, stairwell, WC / washroom, Indoors
Colour	white
Colour, RAL	9010
IDs, certificates	KEMA
Manufacturer's Warranty	5 years
Version	white
PU1, EAN	4007841033149

Accessories

EAN 4007841 034160	Adapter frame for IR/HF 180
EAN 4007841 034184	Adapter frame for IR/HF 180
EAN 4007841 034139	Adapter frame for IR/HF 180

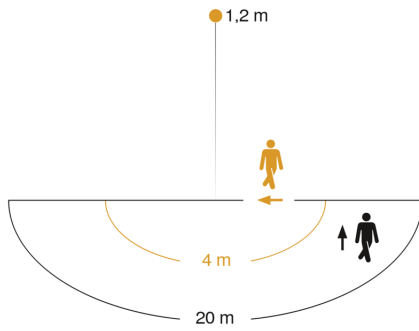
IR 180 UNIVERSAL

white

EAN 4007841 033149

Article number 033149

Detection Zone

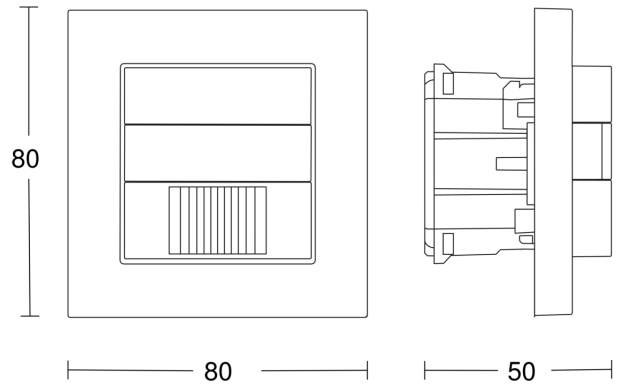


Mögliche Montagehöhe: 1,10 m – 1,20 m

Orange: radial

Schwarz: tangential

Dimension Drawing



Master circuit diagram

