

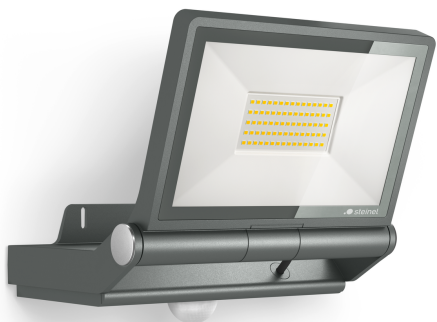
Sensor-switched LED floodlight - Professional Line

# XLED PRO ONE Max S

Anthracite

EAN 4007841 069537

Article number 069537



- LED**  
long life LED  
50.000 h
- 3000 K**  
3000K  
warm-white
- infrared sensor**  
240°
- max. 10 m**
- IP44**
- Panel 180° vertical**
- 2 - 1000 lux**
- 8 sec - 35 min**
- indoor/outdoor light**
- 10% basic brightness**

## Function description

Floodlights redefined. Housed in a sophisticated aluminium enclosure, the 180° vertically swivelling floodlight XLED PRO ONE Max S guarantees daylight-bright illumination across large areas with warm white 3000 K and 6116 lm at 50,1 W. Features include a 240° infrared sensor (10 m range), plug-in cover caps to limit the detection zone, a basic light function (10%), and an optional surface-mounting adapter. Connected by cable. Adjusted by potentiometer and remote control. Maximum mounting height: 6 m. 5-year guarantee.

# XLED PRO ONE Max S

Anthracite

EAN 4007841 069537

Article number 069537



## Technical specifications

Dimensions (L x W x H)	202 x 259 x 250 mm
Mains power supply	220 – 240 V / 50 – 60 Hz
Sensor Technology	passive infrared
Output	50,1 W
Interconnection	Yes
Interconnection via	Cable
Slave modeselectable	No
Lichtstrom Gesamtprodukt	6116 lm
Gesamtprodukt Effizienz	122 lm/W
Colour temperature	3000 K
Colour variation LED	SDCM3
Colour Rendering Index	80-89
With lamp	Yes, STEINEL LED system
Lamp	LED cannot be replaced
LED life expectancy (max. °C)	50000 h
Drop in luminous flux in accordance with LM80	L70B10
Base	without
LED cooling system	Passive Thermo Control
With motion detector	Yes
Detection angle	240 °
Angle of aperture	180 °
Capability of masking out individual segments	No
Electronic scalability	No

Mechanical scalability	No
Reach, radial	r = 3 m (19 m <sup>2</sup> )
Reach, tangential	r = 12 m (302 m <sup>2</sup> )
Photo-cell controller	Yes
Twilight setting	2 – 2000 lx
Time setting	8 s – 35 Min.
Basic light level function	Yes
Basic light level function time	10/30 min, all night
Main light adjustable	No
Functions	DIM function, Light sensor, Motions sensor, Orientation light
Soft light start	Yes
Impact resistance	IK03
IP-rating	IP44
Protection class	I
Ambient temperature	-20 – 40 °C
Housing material	Aluminium
Cover material	Glass transparent
Manufacturer's Warranty	5 years
Settings via	Remote control, Potentiometers, App
Installation site	ceiling, wall
Cover material	shrouds
Version	Anthracite
PU1, EAN	4007841069537

## Accessories

EAN 4007841 080983      Surface mount adapter XLED PRO ONE Plus + Max

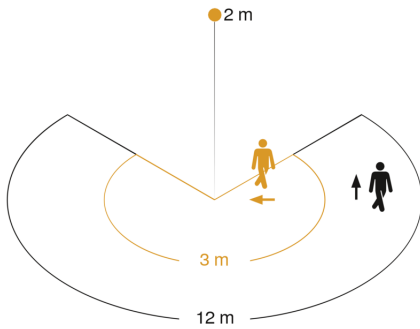
# XLED PRO ONE Max S

Anthracite

EAN 4007841 069537

Article number 069537

## Detection Zone

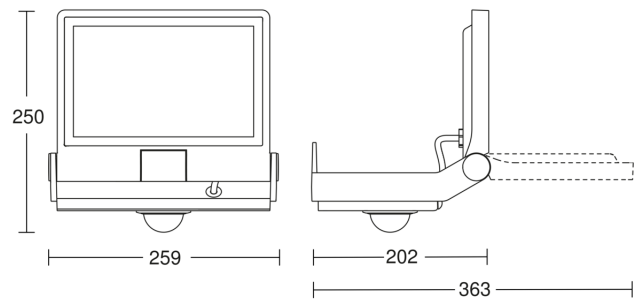


Mögliche Montagehöhe: 1,80 m – 6,00 m

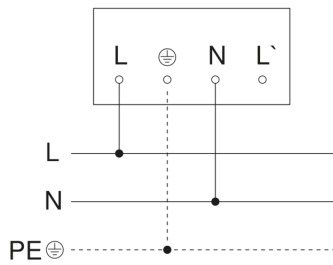
Orange: radial

Schwarz: tangential

## Dimension Drawing



## Master circuit diagram



## Master/slave interconnection circuit diagram

